

Specification sheet LX 1584

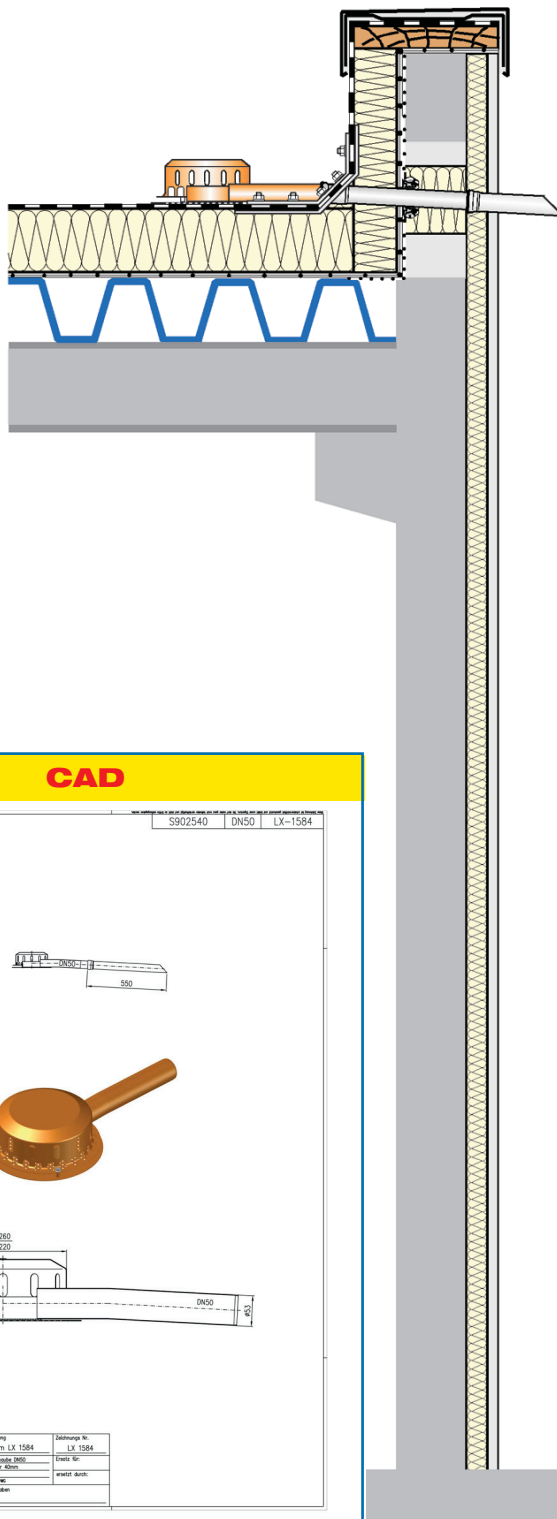
Parapet drainage system Series 62 DRAINLET® without roof penetration

Emergency drainage

Gravity flow

Silent

Discharge rate:	1,0 l/sec
Water height:	75 mm
Roof penetration:	0 mm
Diameter:	DN 50
LX-Number:	LX 1584
Weir height:	40 mm
Drain:	ventilated
Downpipe:	ventilated
Downpipe height:	-
Drainage:	on floor



LX 1584 Piece list

1 x Art.-No. choose drain on page two!

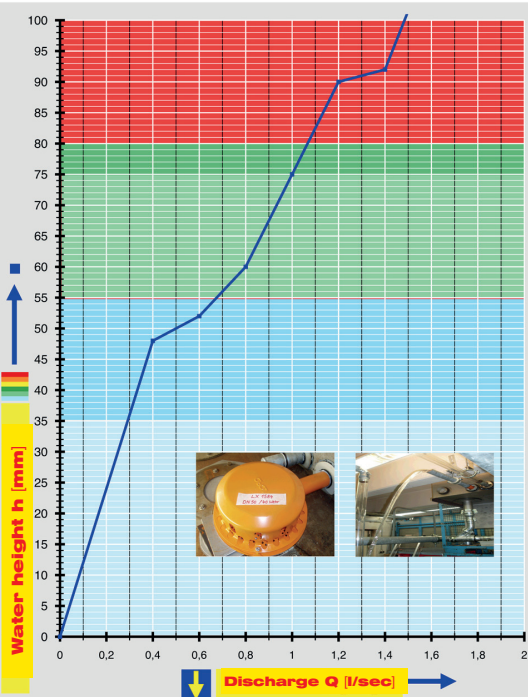
1 x Art.-No. 01401.050X, LORO-X Pipe with one socket

1 x Art.-No. 13232.050X, LORO-X Sliding flange

1 x Art.-No. 00911.050X, LORO-X Sealing element

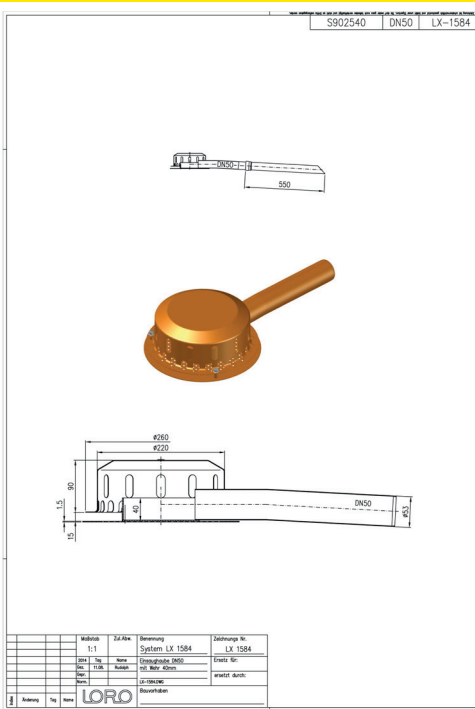
1 x Art.-No. 00986.000X, LORO-X Lubricant

hQ - Head Discharge curve



Systempower

CAD



Systemshape

Water height	mm	20	25	30	35	40	45	50	55	60	65	70	75	80	85	90	95	100
Discharge	l/sec	-	-	-	-	-	-	0,5	0,7	0,8	0,9	0,9	1,0	1,1	1,1	1,2	1,4	1,5
Silent																		

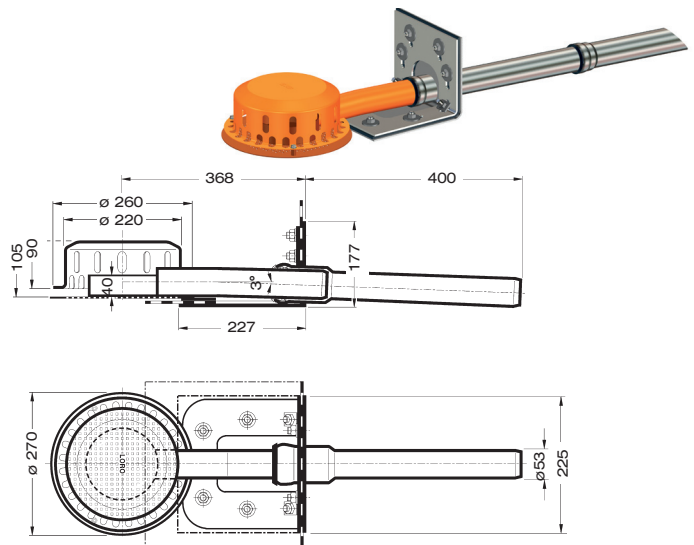
Choose drain for piece list on page one!

DN 50

LX1584-1X

Drain Art.-No. 01341.050X

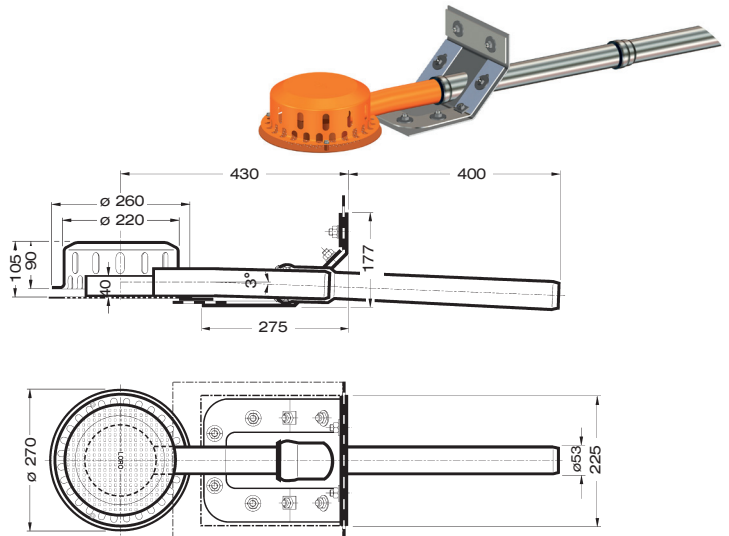
clamping flange 90°
for plastic roofing sheets
Weir height 40 mm



LX1584-2X

Drain Art.-No. 01355.050X

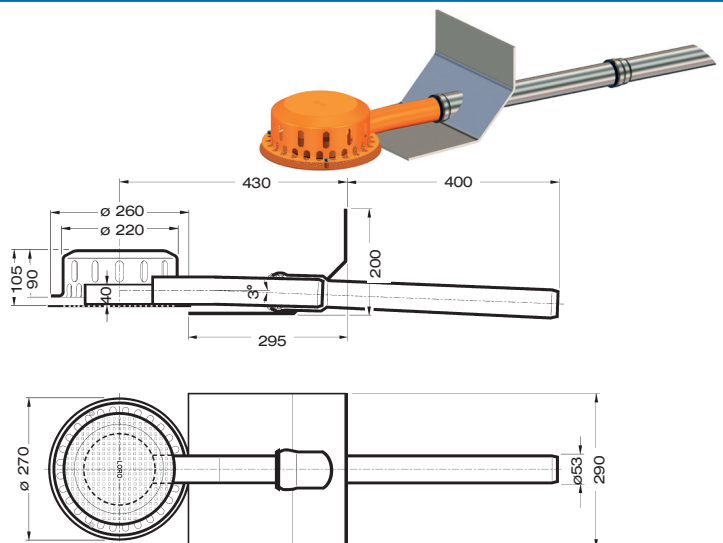
clamping flange 45°
for bituminous roofing sheets
Weir height 40 mm



LX1584-3X

Drain Art.-No. 01397.050X

bonding flange 45°
for bituminous roofing sheets
Weir height 40 mm



Heat tracing: Lorowerk recommends to check all drains and pipes with regard to their frost-sensibility. Where necessary, these parts should be upgraded with heat tracing.